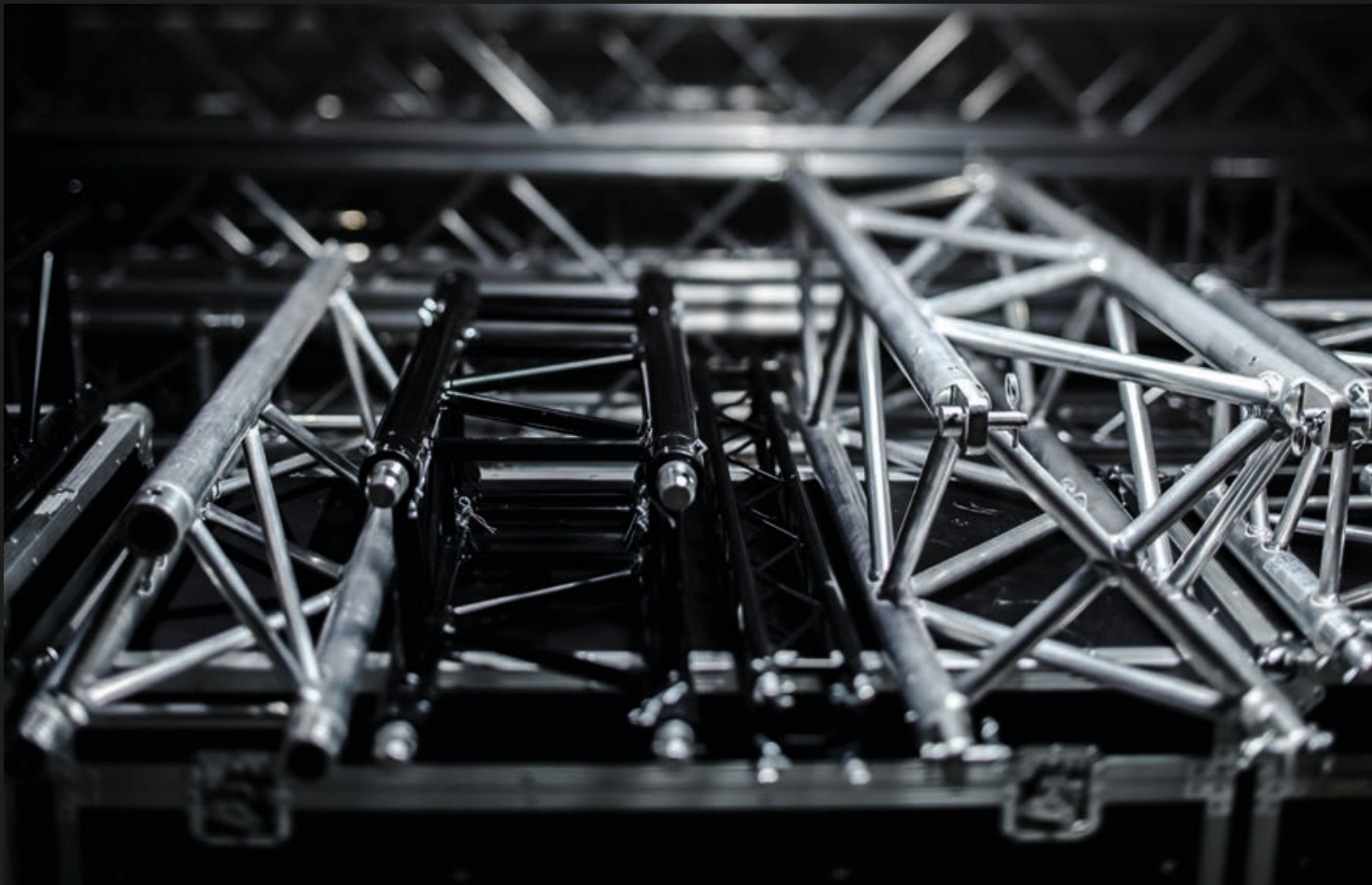




# C O U P L E R



## **ABOUT US**

Since the year 2000 Global Truss has been manufacturing and providing trusses and accessories. These are now available in more than 50 countries and Global Truss customers appreciate the excellent availability and quality of its products.

Quality, reliability, innovation and availability - these four keywords are the guiding principles of the Global Truss company philosophy.

With more than 120 employees worldwide Global Truss has now grown to one of the leading truss manufacturers.

# INHALTSVERZEICHNIS | TABLE OF CONTENTS



HALF COUPLER

04 - 08



SWIVEL COUPLER

09 - 11



SELFLOCK

12 - 15

## AUGMENTED REALITY

Download the Global Truss Toolbox for iOS or Android. With the app you can inspect all Global Truss coupler and trusses in 3D.



# HALF COUPLER SMALL 48-51 | 30 | 100KG

CODE 5032 / 5032B (STAGE BLACK)

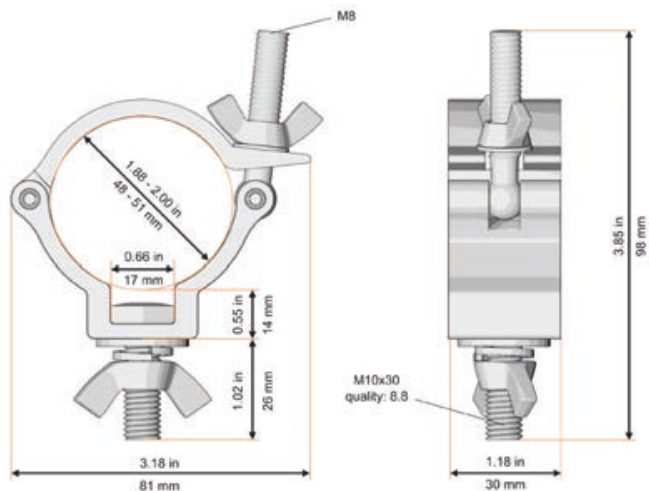


The 5032 is the most widely used coupler in the world. Proven millions of times over within the industry and an indispensable element for any event, its slim design means you can attach the coupler at nearly any point on the truss. It is the ideal choice for smaller and medium-sized devices.

Kompatibel | compatible  
 Breite | width  
 Zugbelastung | tensile load  
 Abgang | retaining screw

48-51 mm  
 30 mm  
 100 kg SWL  
 M10 Flügelmutter,  
 Sprengring und Unterlegscheibe  
 M10 screw, spring-lock, washer  
 M8 Flügelmutter | wing nut  
 Ja | yes  
 6061 T6  
 DIN EN 13814:2004

Verschluß | screw plug  
 TÜV geprüft | TÜV approved  
 Aluminium | aluminum  
 Geprüft nach | tested according



## KOMPATIBILITÄT | COMPATIBILITY



# HALF COUPLER SMALL EASY 48-51 | 30 | 100KG

CODE 5023EASY / 5032EASY-B (STAGE BLACK)

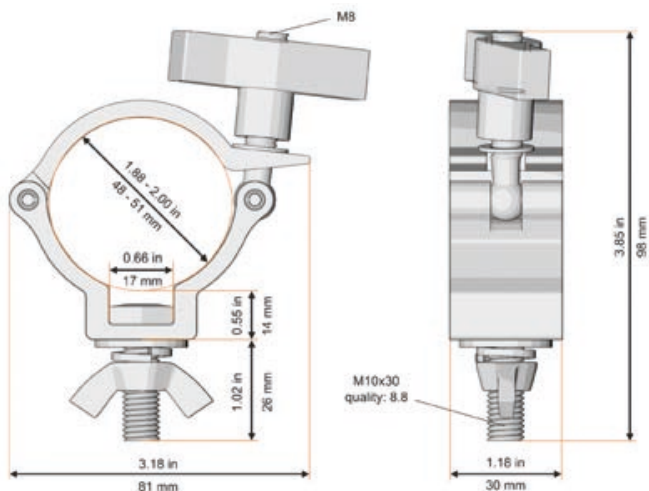


5032 Easy - it's all in the name! With this coupler, you can attach your devices quickly and easily - thanks to the large wing nut.

Kompatibel | compatible  
 Breite | width  
 Zugbelastung | tensile load  
 Abgang | retaining screw

48-51 mm  
 30 mm  
 100 kg SWL  
 M10 Flügelmutter,  
 Sprengring und Unterlegscheibe  
 M10 screw, spring-lock, washer  
 M8 Flügelmutter | wing nut  
 Ja | yes  
 6061 T6  
 DIN EN 13814:2004

Verschluß | screw plug  
 TÜV geprüft | TÜV approved  
 Aluminium | aluminum  
 Geprüft nach | tested according



## KOMPATIBILITÄT | COMPATIBILITY



F52 Folding



F54 F44 F44P F34 F34P F34PL F34QX F24



F43 F33 F33PL M25AS F23



F42 F32 F22



F31 F31PL

# HALF COUPLER SLIM 48-51 | 30 | 300KG

CODE 5035-2 / 5035-2-B (STAGE BLACK)

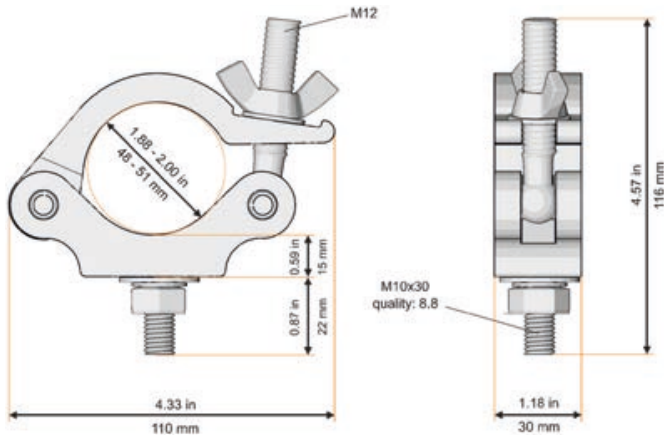


This narrow truss coupler is impressive due to its width of only 30mm. It fastens more effectively and more simply to the truss, with less chance of cross bracing getting in the way. The load carrying capacity is rated at a sturdy 300kg.

Kompatibel | compatible  
Breite | width  
Zugbelastung | tensile load  
Abgang | retaining screw

48-51 mm  
30 mm  
300 kg SWL  
M10 Geräteschraube, Sprengling  
und Unterlegscheibe  
M10 screw, spring-lock, washer  
M12 Flügelmutter | wing nut  
Ja | yes  
6061 T6  
DIN EN 13814:2004

Verschluß | max. shear load  
TÜV geprüft | TÜV approved  
Aluminium | aluminium  
Geprüft nach | tested according



## KOMPATIBILITÄT | COMPATIBILITY



# HALF COUPLER 48-51 | 50 | 500KG

CODE 5035 / 5035-B (STAGE BLACK)

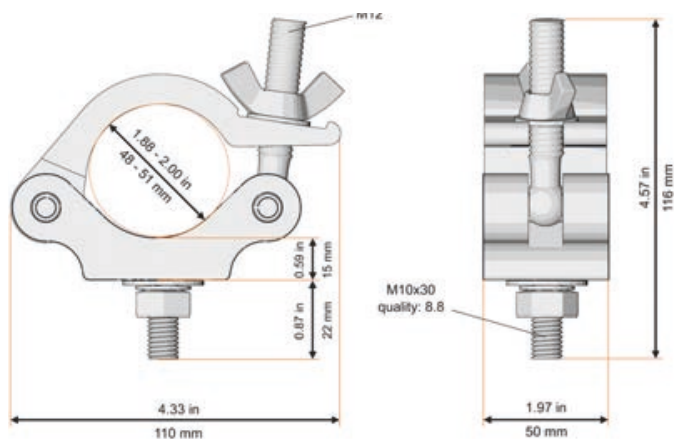


This coupler is the standard in heavy duty couplers. Due to its width, it offers substantially more load bearing surface, and is thus better secured.

Kompatibel | compatible  
 Breite | width  
 Zugbelastung | tensile load  
 Abgang | retaining screw

48-51 mm  
 50 mm  
 500 kg SWL  
 M10 Geräteschraube, Sprengring,  
 Unterlegscheibe  
 M10 screw, spring-lock, washer  
 M12 Flügelmutter | wing nut  
 Ja | yes  
 6061 T6  
 DIN EN 13814:2004

Verschluss | screw plug  
 TÜV geprüft | TÜV approved  
 Aluminium | aluminum  
 Geprüft nach | tested according



## KOMPATIBILITÄT | COMPATIBILITY



F52 Folding



F54



F44



F44P



F34



F34P



F34PL



F34QX



F24



F43



F33



F33PL



M25AS



F23



F42



F32



F22



F31



F31PL

# HALF COUPLER HEAVY 48-51 | 50 | 750KG

CODE 827 / 827-B (STAGE BLACK)

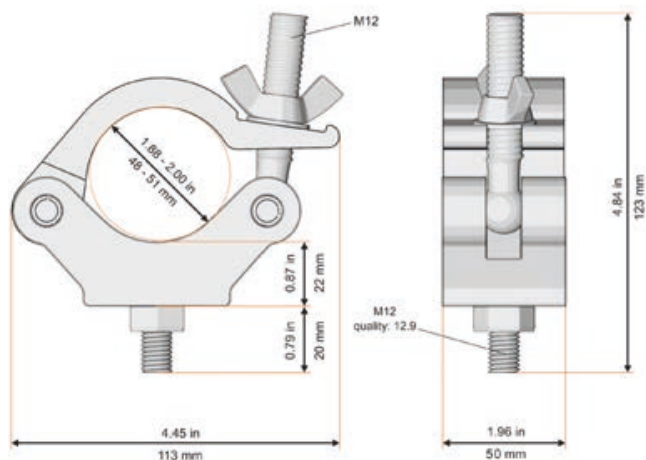


The workhorse of truss systems! Due to its large cross-sectional size, this coupler can handle heavier loads of up to 750kg the highest load in the entire range.

Kompatibel | compatible  
Breite | width  
Zugbelastung | tensile load  
Abgang | retaining screw

48-51 mm  
50 mm  
750 kg SWL  
M12 Geräteschraube, Sprengung und Unterlegscheibe  
M12 screw, spring-lock, washer  
M12 Flügelmutter | wing nut  
Ja | yes  
6061 T6  
DIN EN 13814:2004

Verschluss | screw plug  
TÜV geprüft | TÜV approved  
Aluminium | aluminum  
Geprüft nach | tested according



## KOMPATIBILITÄT | COMPATIBILITY



F52 Folding



F54



F44



F44P



F34



F34P



F34PL



F34QX



F24



F43



F33



F33PL



M25AS



F23



F42



F32



F22



F31



F31PL

# SWIVEL COUPLER SLIM 48-51 | 30 | 250KG

CODE 5035-2D / 5035-2DB (STAGE BLACK)



This coupler has a width of only 30mm. It fastens more effectively and more simply to the truss, without being blocked by any cross braces. The middle joint of this coupler is rotatable and thus each angle is feasible.

Kompatibel | compatible

Breite | width

Zugbelastung | tensile load

Abgang | retaining screw

Verschluss | screw plug

TÜV geprüft | TÜV approved

Aluminium | aluminum

Geprüft nach | tested according

48-51 mm

30 mm

250 kg SWL

drehbar, gekoppelt durch Bolzen

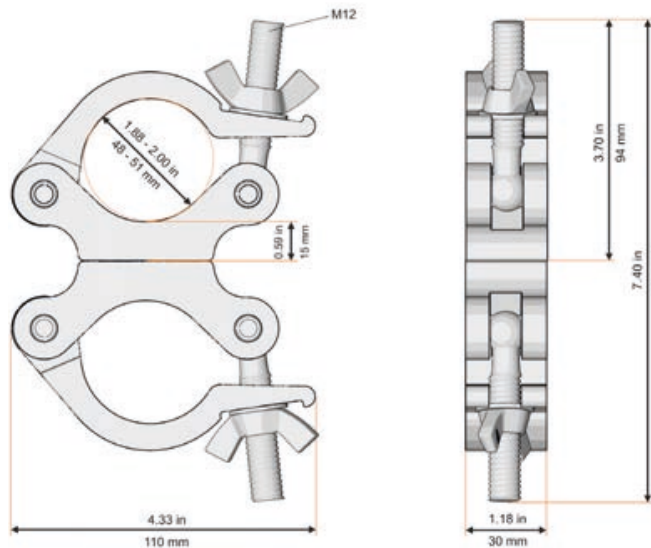
rotatable, coupled with bolt

M12 Flügelmutter | wing nut

Ja | yes

6061 T6

DIN EN 13814:2004



## KOMPATIBILITÄT | COMPATIBILITY



F52 Folding



F54



F44



F44P



F34



F34P



F34PL



F34QX



F24



F43



F33



F33PL



M25AS



F23



F42



F32



F22



F31



F31PL

# SWIVEL COUPLER 48-51 | 50 | 500KG

CODE 5038 / 5038-B (STAGE BLACK)



The double construction of the 500kg coupler allows you to connect two main chords securely. The middle joint is rotatable and thus each angle is feasible.

Kompatibel | compatible

Breite | width

Zugbelastung | tensile load

Abgang | retaining screw

Verschluß | screw plug

TÜV geprüft | TÜV approved

Aluminium | aluminum

Geprüft nach | tested according

48-51 mm

50 mm

500 kg SWL

drehbar gekoppelt durch Bolzen

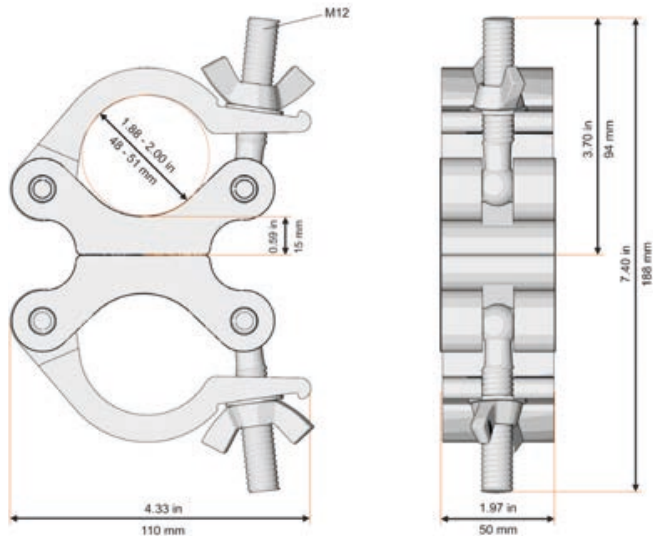
rotatable, coupled with bolt

M12 Flügelmutter | wing nut

Ja | yes

6061 T6

DIN EN 13814:2004



## KOMPATIBILITÄT | COMPATIBILITY



F52 Folding



F54



F44



F44P



F34



F34P



F34PL



F34QX



F24



F43



F33



F33PL



M25AS



F23



F42



F32



F22



F31



F31PL

# SWIVEL COUPLER FIXABLE 48-51 | 50 | 500KG

CODE 8231-90 / 8231-90-B (STAGE BLACK)

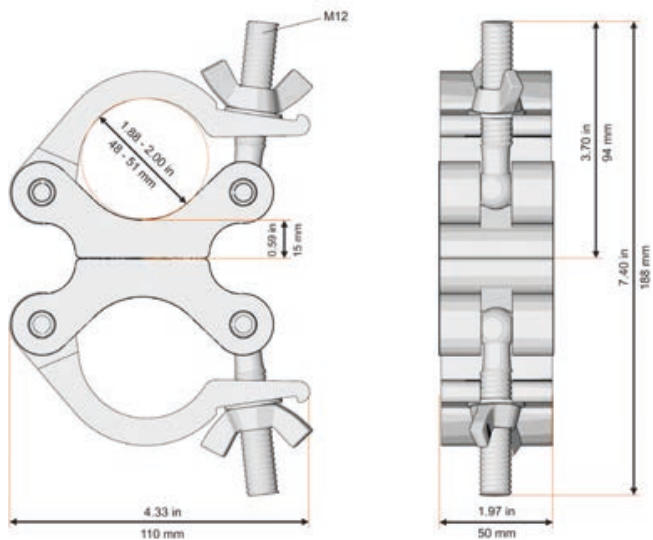


The double construction of the 500kg coupler allows you to connect two main chords securely. The coupler can be locked at 90° with the help of a hollow clamping/dowel pin.

Kompatibel | compatible  
 Breite | width  
 Zugbelastung | tensile load  
 Abgang | retaining screw

48-51 mm  
 50 mm  
 500 kg SWL  
 drehbar gekoppelt durch Bolzen,  
 bei 90° aretierbar  
 rotatable, coupled with bolt,  
 lockable at 90°  
 M12 Flügelmutter | wing nut  
 6061 T6  
 DIN EN 13814:2004

Verschluß | screw plug  
 Aluminium | aluminum  
 Geprüft nach | tested according



## KOMPATIBILITÄT | COMPATIBILITY



F52 Folding



F54



F44



F44P



F34



F34P



F34PL



F34QX



F24



F43



F33



F33PL



M25AS



F23



F42



F32



F22



F31



F31PL

# SELFLOCK HOOK 48-51 | 30 | 250KG

CODE 5070 / 5070-B (STAGE BLACK)

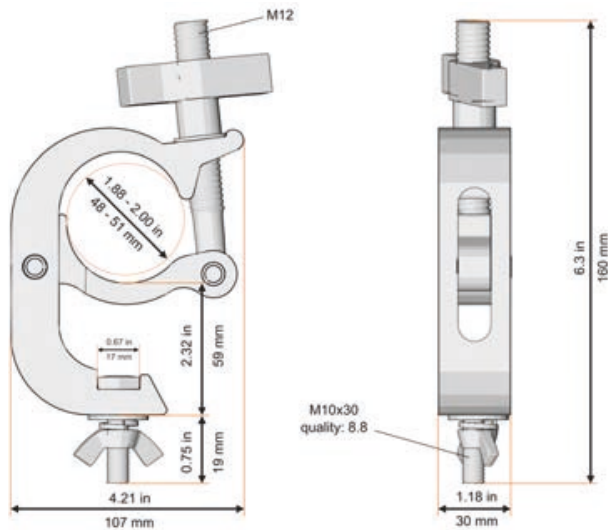


The Selflock Hook is a clever combination of C-clamp and half-coupler and is ideal for securing heavy devices. The Selflock Hook is easy to hang and guarantees a certain level of drop safety, even when the clamp is still open, making it easy for someone working alone.

Kompatibel | compatible  
Breite | width  
Zugbelastung | tensile load  
Abgang | retaining screw

48-51 mm  
30 mm  
250 kg SWL  
M10 Flügelmutter,  
Sprengring, Unterlegscheibe  
M10 screw, spring-lock, washer  
M12 Flügelmutter | wing nut  
Ja | yes  
6061 T6  
DIN EN 13814:2004

Verschluß | screw plug  
TÜV geprüft | TÜV approved  
Aluminium | aluminum  
Geprüft nach | tested according



## KOMPATIBILITÄT | COMPATIBILITY









GO DIGITAL



### ShowQuip Contact

21 Livingstone Street  
Christchurch 8011  
New Zealand

0800 155 141  
[info@showquip.com](mailto:info@showquip.com)  
[www.showquip.com](http://www.showquip.com)