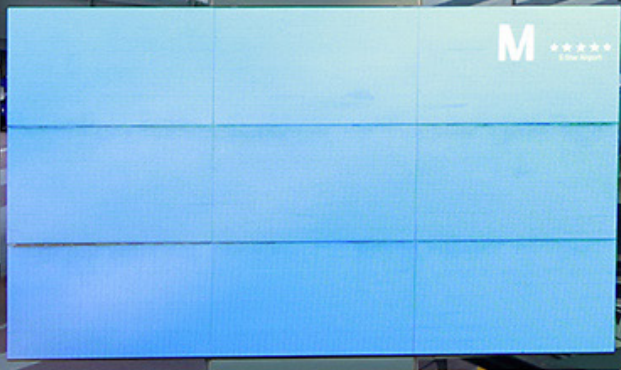


# **GT STAGE DECK**

STAGE PLATFORM SYSTEM



Danke! Ihr seid alle 5 Star!

★★★★★  
5 Star Airport



# **TABLE OF CONTENTS**

PLATFORM 04 - 09

---

VARIABLE LEGS 10 - 11

---

LEGS 12 - 13

---

PLATFORM STEPS 14 - 16

---

PLATFORM RAILING 17 - 18

---

CLAMPS & ACCESSORIES 19 - 20

---

TRANSPORTATION 21

---

VARIABLE STAIRS 22 - 23



## GT STAGE DECK

The GT STAGE DECK outdoor platform is a mobile stage system for every application - indoor and of course outdoor. The application area is wide: Concerts, theatres, schools, public halls, exhibitions, fashion shows or basically every other event where a stage is needed.

The aluminum profile offers an enormous flexibility and compability with other manufacturers.

Due to the external notch additional parts such as a fall protection can be attached. Furthermore platforms can be connected via the nitches and the included „Deck Leveller“ helps to align them at the same height. The connection is especially designed for round and for squared platform legs with a maximum dimension of 60 x 60 mm.

The additional platform claw (Code: 115147) provides a stable connection between the platforms.



**GT STAGE DECK 200 x 100**

Code: 115145

Maximum load according to DIN 15921

- Vertical  $q=750\text{kg/m}^2$
- Horizontal  $q/20$
- Dimension: 200 x 100 cm



**GT STAGE DECK 200 x 50**

Code: 115432

- Dimension: 200 x 50 cm



**GT STAGE DECK 100 x 100**

Art.-Nr.: 115146

- Dimension: 100 x 100 cm



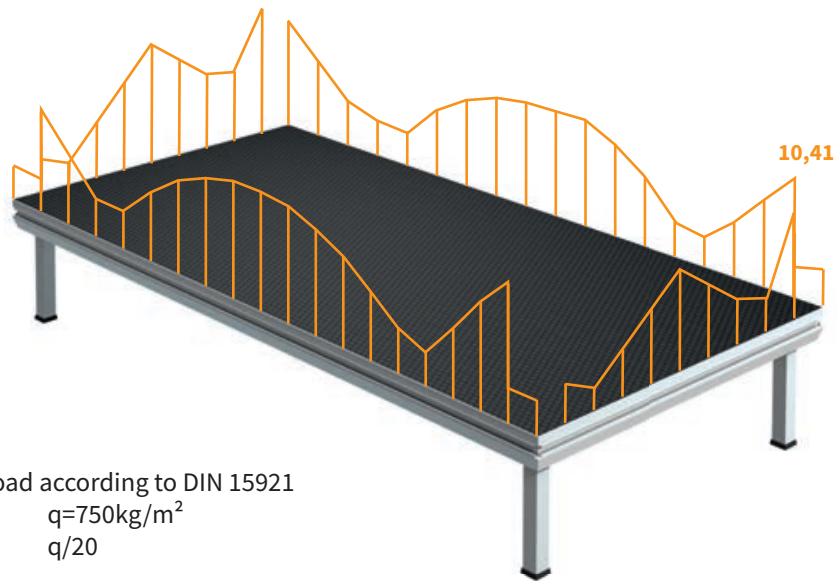
**GT STAGE DECK 100 x 50**

Code: 115431

- Dimension: 100 x 50 cm

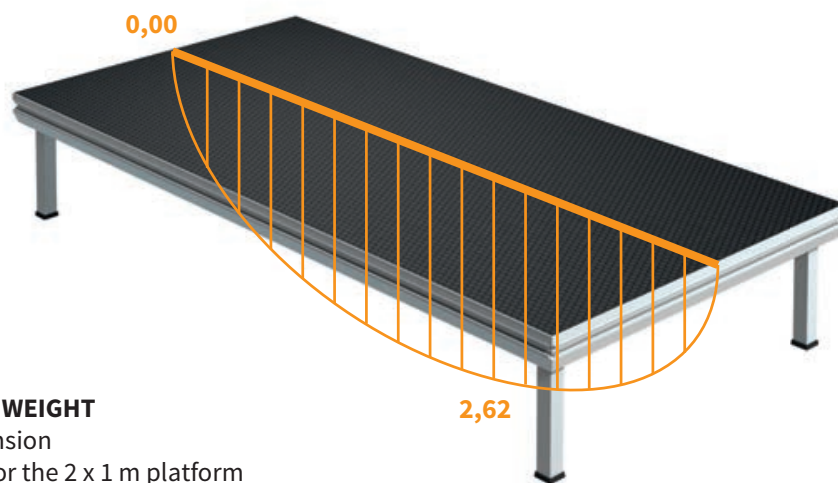


## LOADABILITY



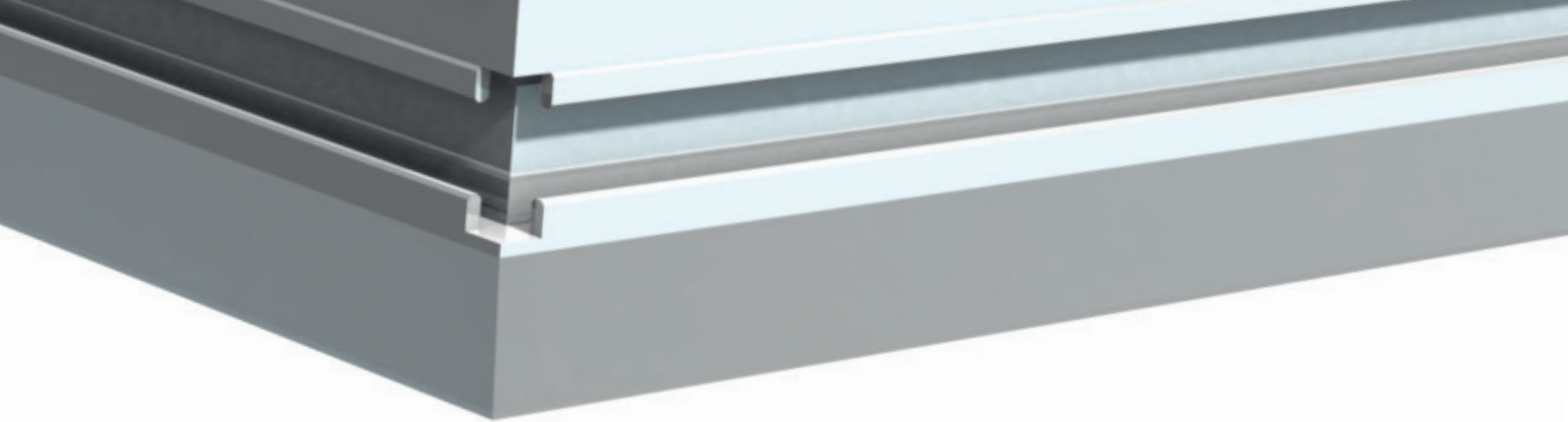
### LOAD

- Maximum load according to DIN 15921
- Vertical:  $q=750\text{kg/m}^2$
- Horizontal:  $q/20$



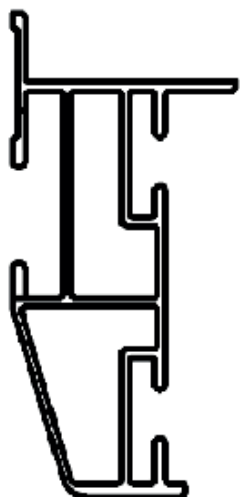
### STABILITY & WEIGHT

- Very low tension
- Just 32 kg for the 2 x 1 m platform



# FLEXIBILITY

## Compatibility



**Compatible** with other leading manufacturers. Full flexibility with Global Truss

**Optimised shape** - external corners are compatible with products by Layher and Nivtec without any adapters.

**Low warehouse costs** - Just 9 cm stacking height.



## FLEXIBILITY

### Universal platform legs

#### CHALLENGE

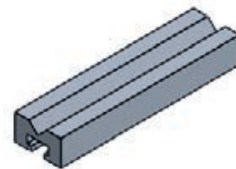
Most systems on the market use round legs with a diameter of 48.3 mm or they use squared legs with a dimension of 50 x 50 mm or 60 x 60 mm. Normally this is solved by changing the pressure cube to fit the corner to the leg.

Additionally the pressure cube is really small. Therefore all the pressure is on the screw and doesn't provide enough stability.

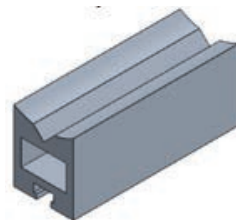
#### Solution

Our new pressure cube is useable for round (48.3 mm) as well as squared (50 x 50 mm / 60 x 60 mm) legs universally.

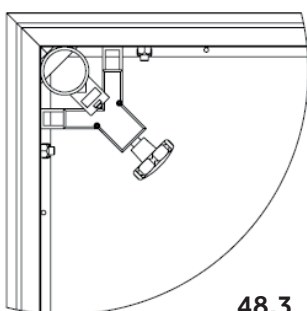
Nothing to change anymore! To make this possible we have widened the corners. No matter which legs are used, the pressure cube will always provide a maximum of stability.



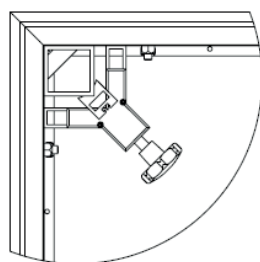
**Standard pressure cube**



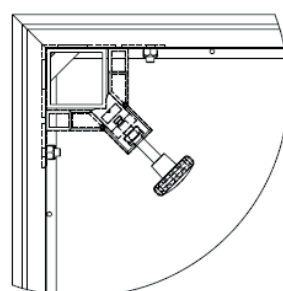
**New pressure cube**



**48,3**

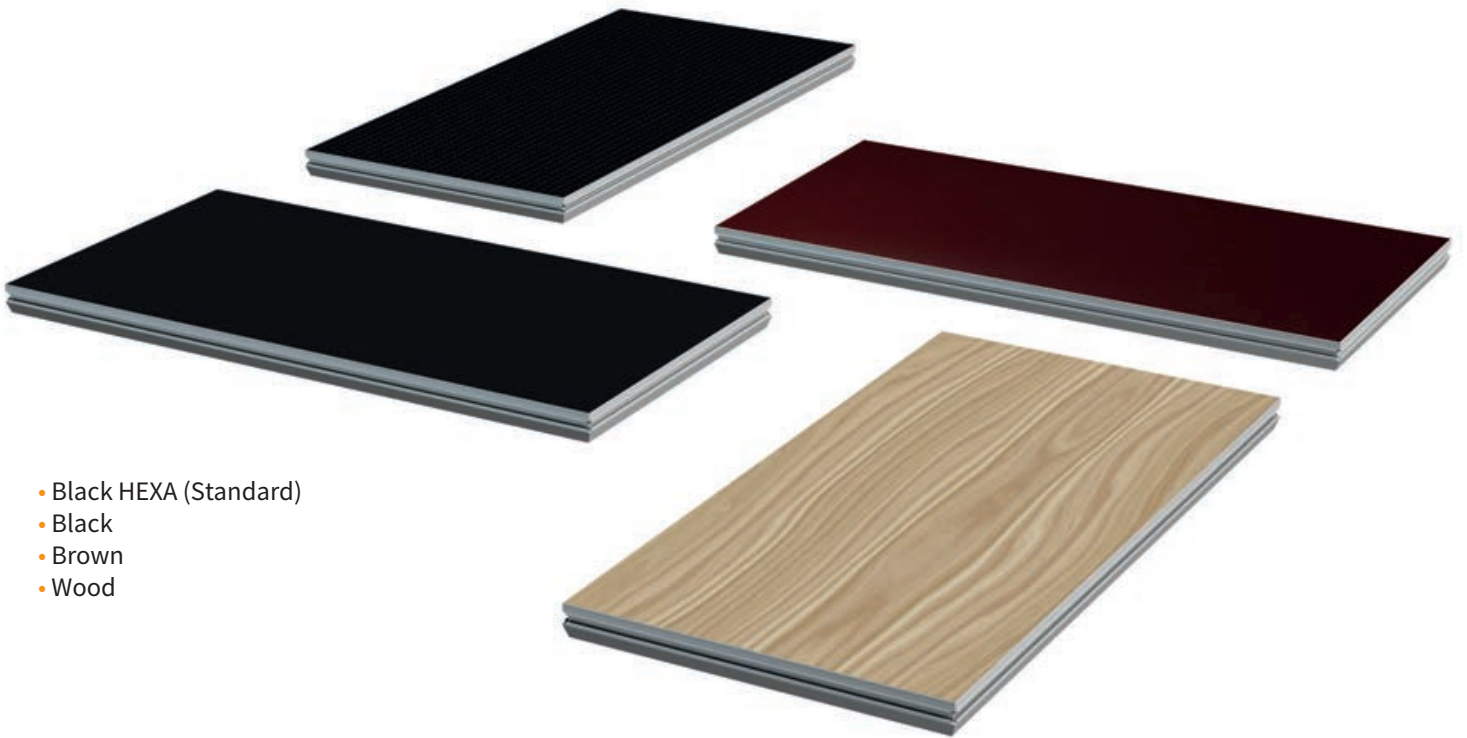


**50x50**



**60x60**

## Available surfaces



- Black HEXA (Standard)
- Black
- Brown
- Wood

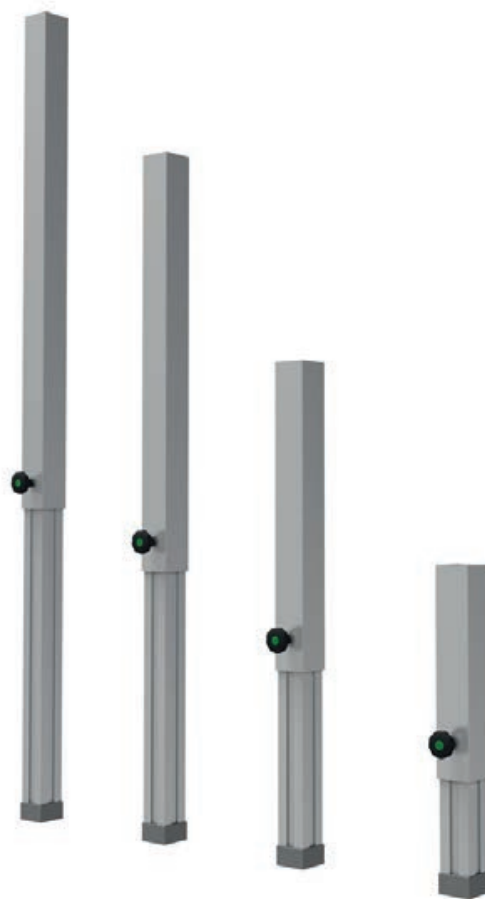


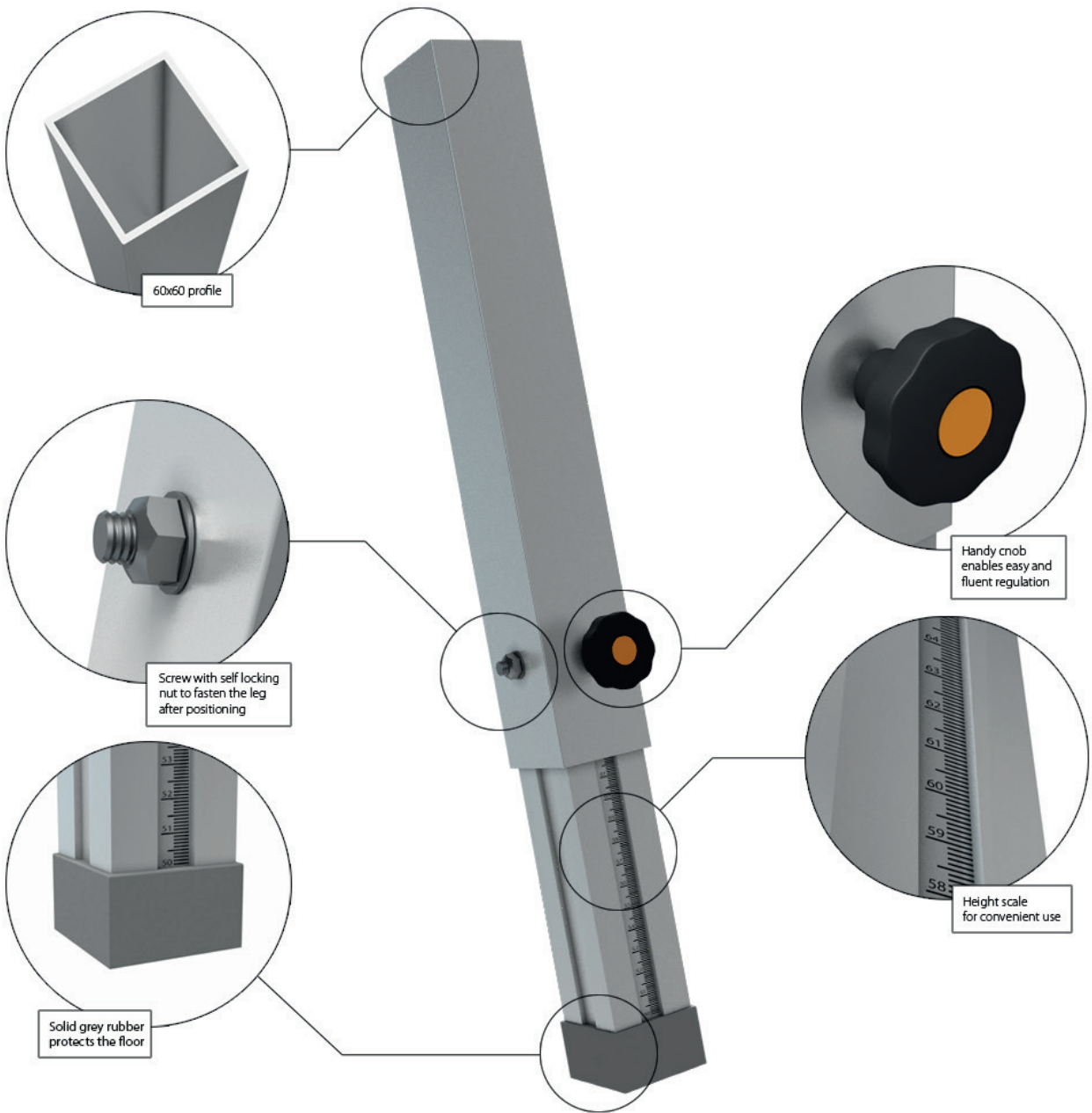
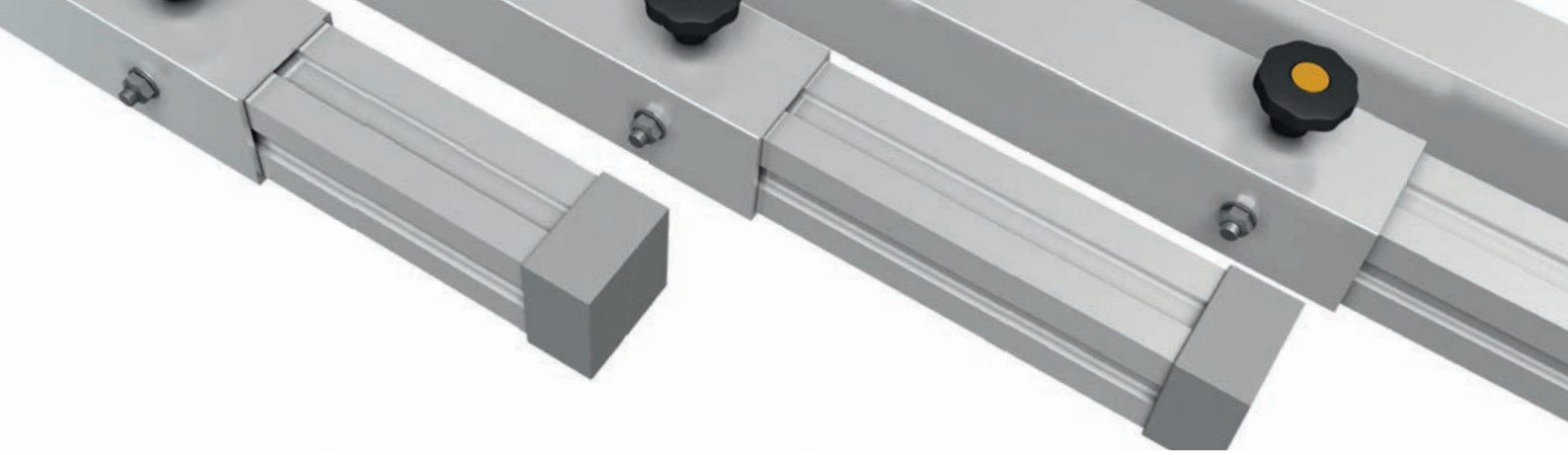
- Transparent
- Black transparent glass
- White transparent glass

## VARIABLE PLATFORM LEGS

Variable aluminum platform legs. Profile 60 x 60 mm. The height of the platform and leg is flexible adjustable. To set up the height tighten the star knob screw and then the 6-sided screw with a screwdriver. Big plastic finish for floor protection.

| Code   | Height in cm (H) |
|--------|------------------|
| 115161 | 40-60            |
| 115162 | 60-100           |
| 115163 | 80-140           |
| 115164 | 100-180          |



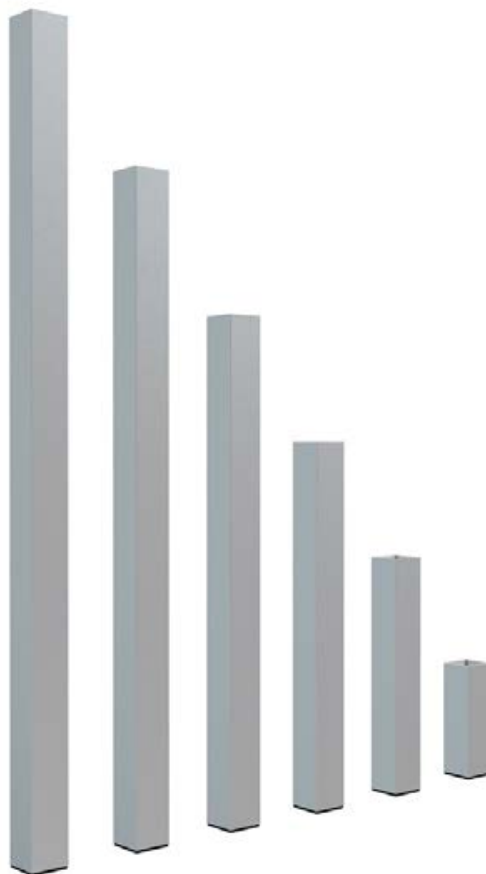


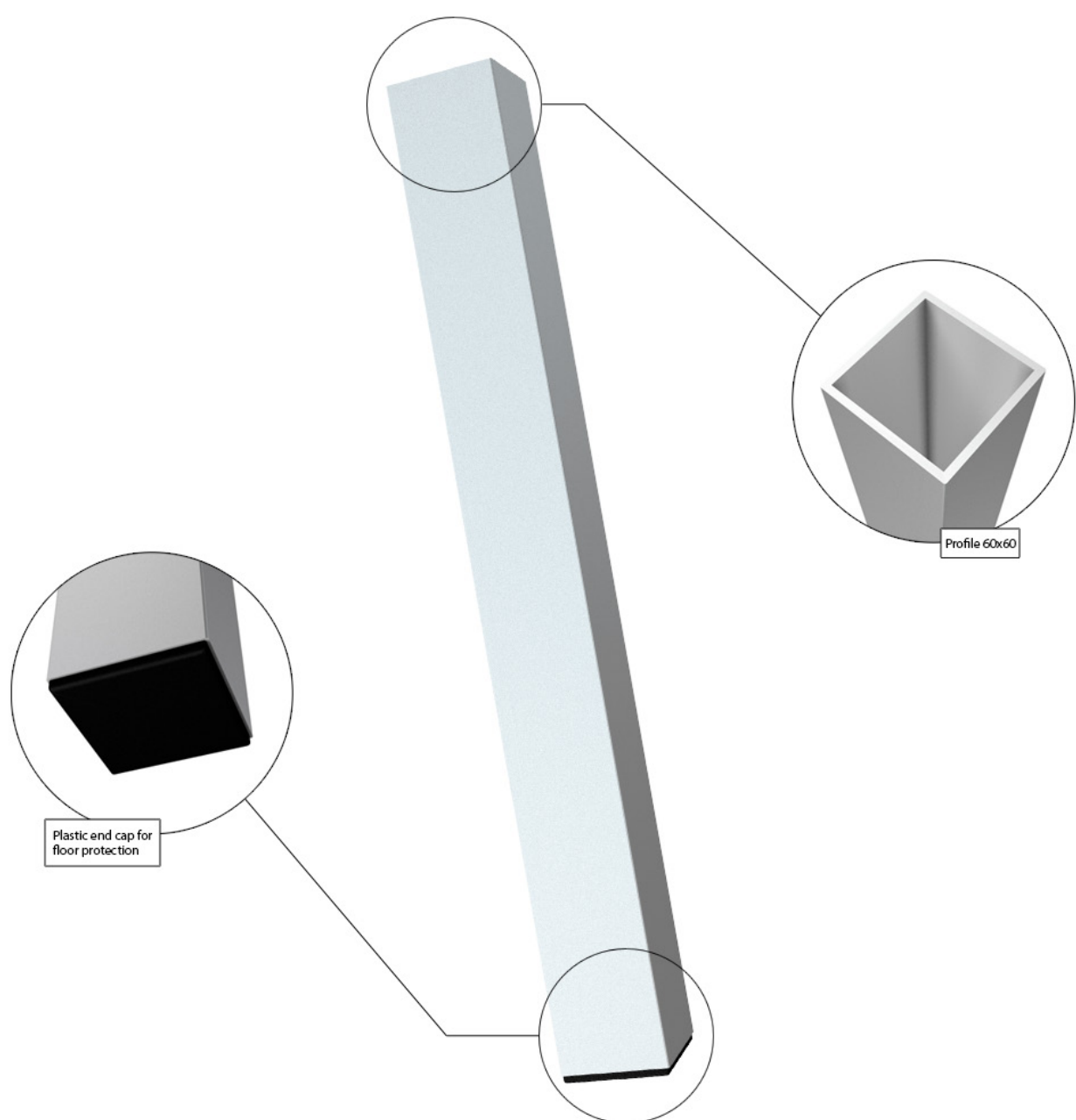
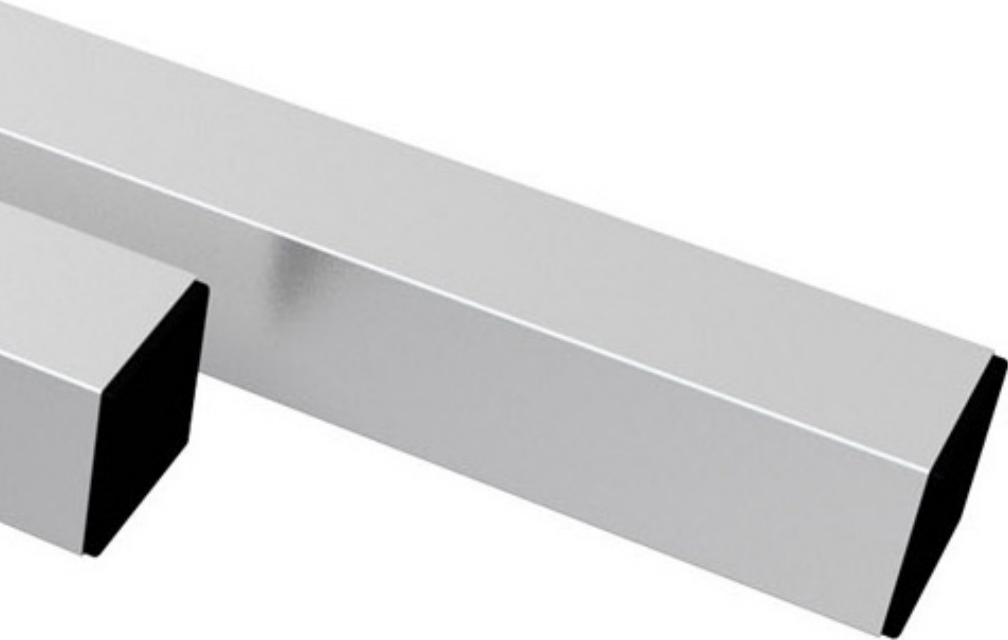


## PLATFORM LEGS

Four square Aluminum platform legs. Profile 60 x 60 mm. The legs are available in different heights between 20 cm and 100 cm. Big plastic finish for floor protection.

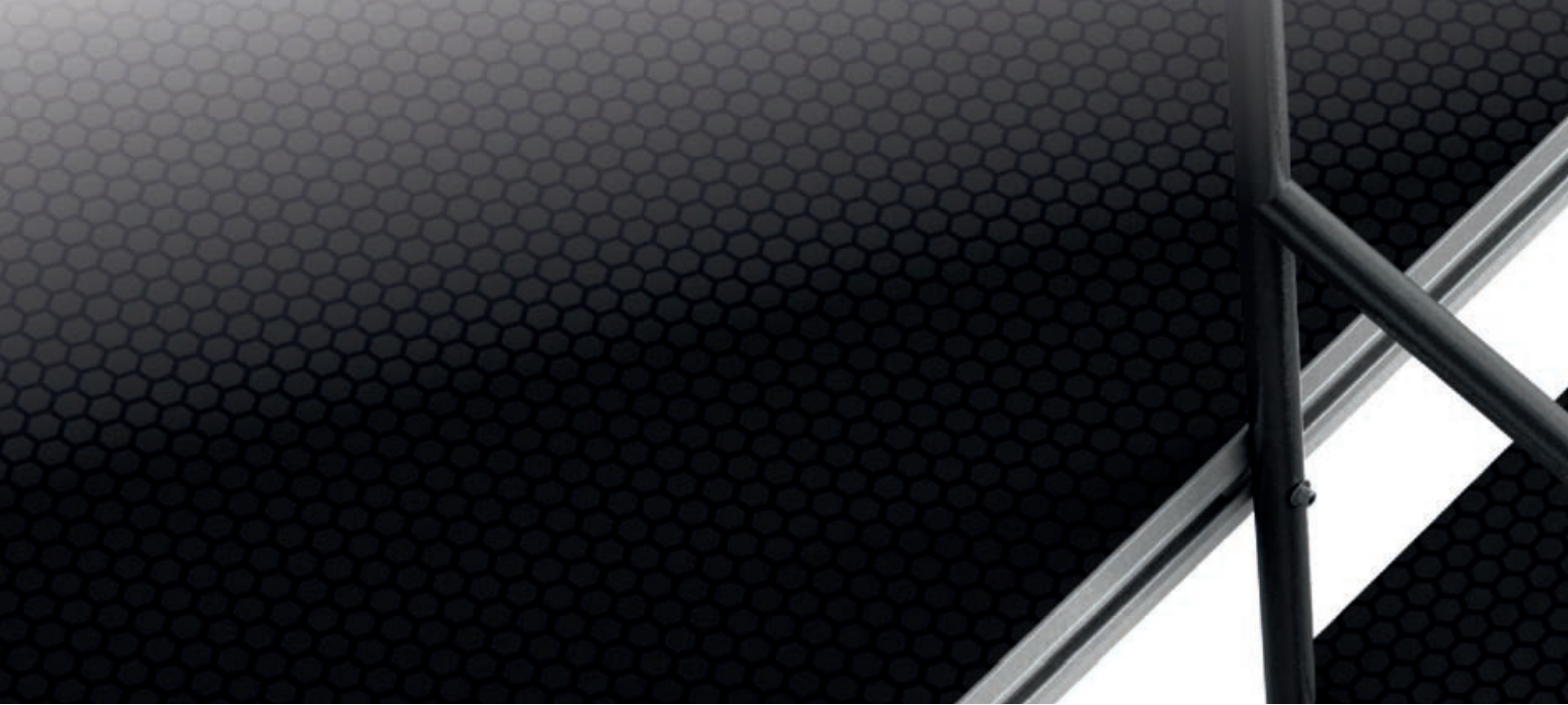
| Code   | Height in cm (H) |
|--------|------------------|
| 115156 | 20 cm            |
| 115157 | 40 cm            |
| 115158 | 60 cm            |
| 115159 | 80 cm            |
| 115160 | 100 cm           |





Plastic end cap for floor protection

Profile 60x60

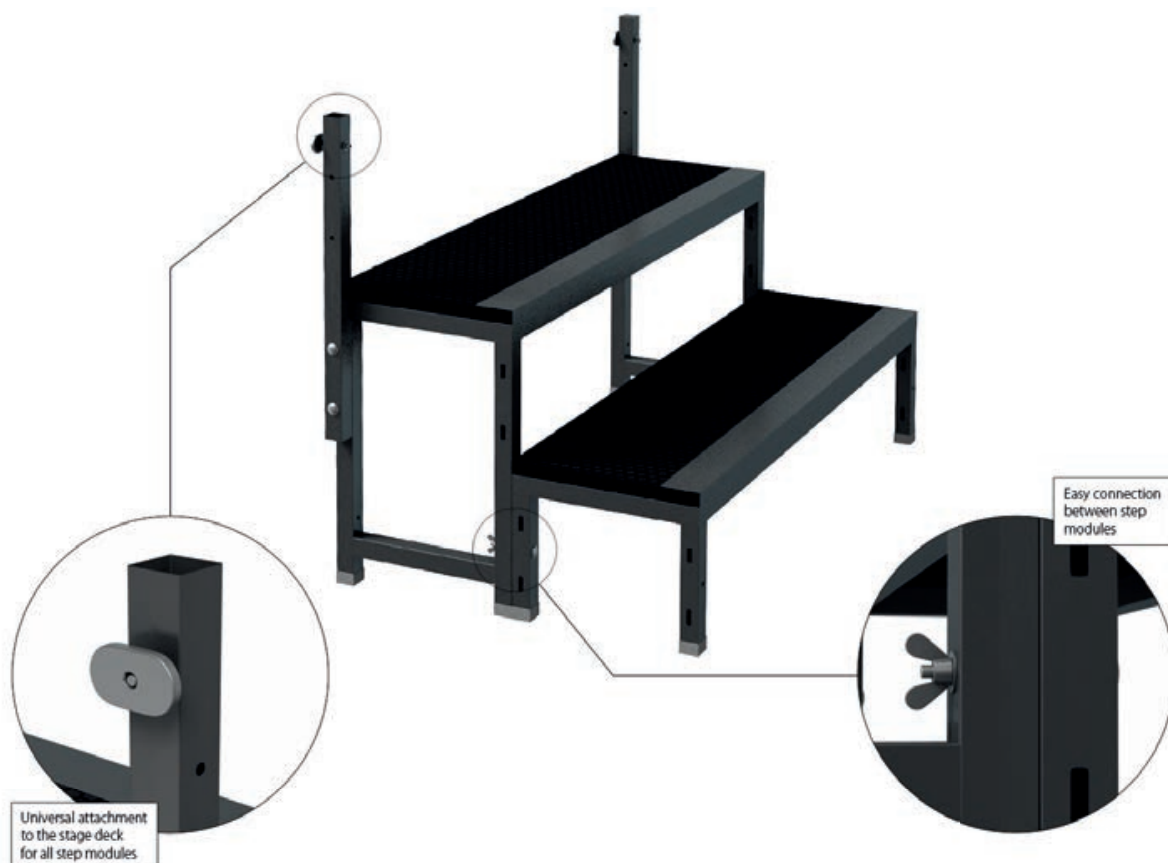


## MODULAR PLATFORM STEPS



The different platform steps can be used combined or by its own.

To reach the needed stair height the modules can be combined with each other in any way.

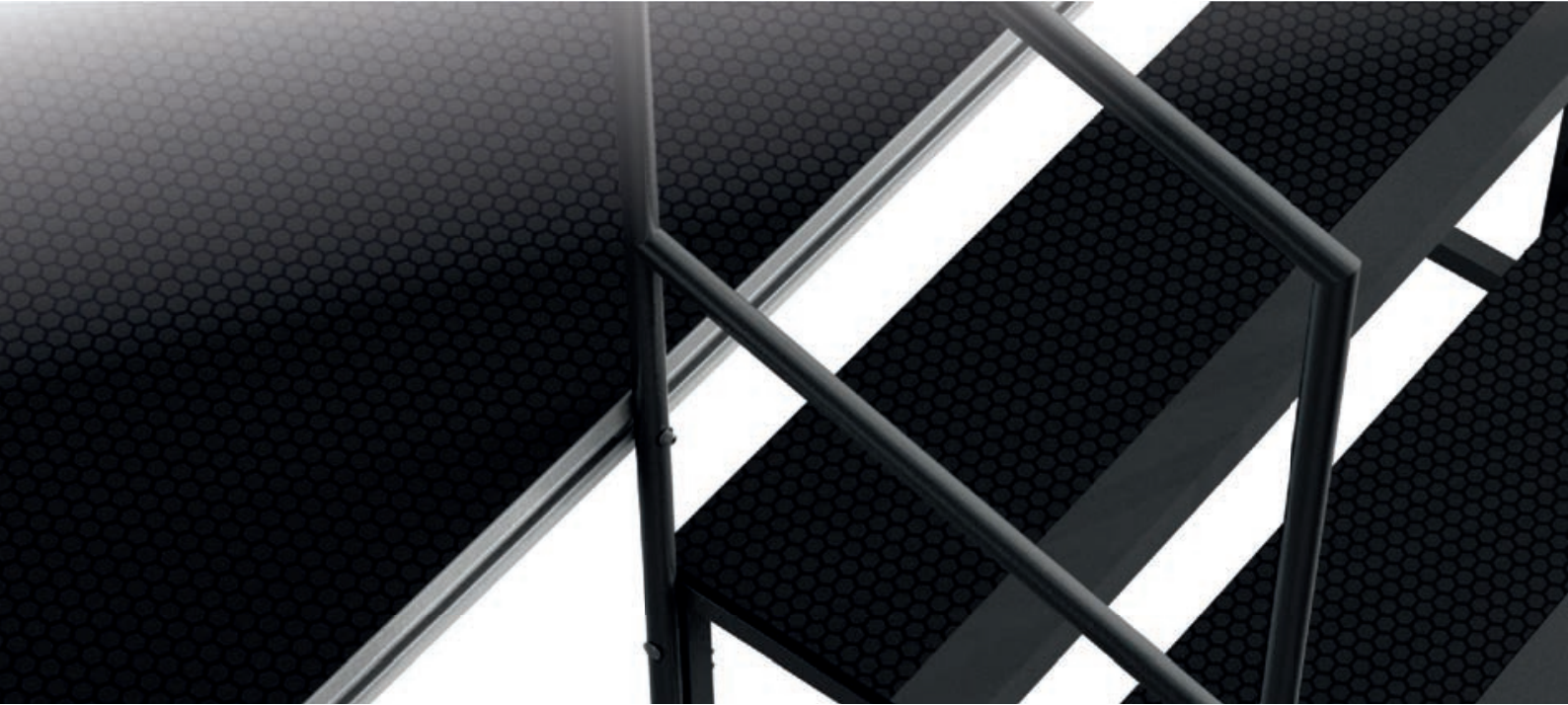


Universal attachment to the stage deck for all step modules

Easy connection between step modules



Hand rails for modular platform steps are mounted with two screws on each side.



**Step 20cm**  
Code:115151



**Step 40cm**  
Code:115152



**Step 60cm**  
Code:115153



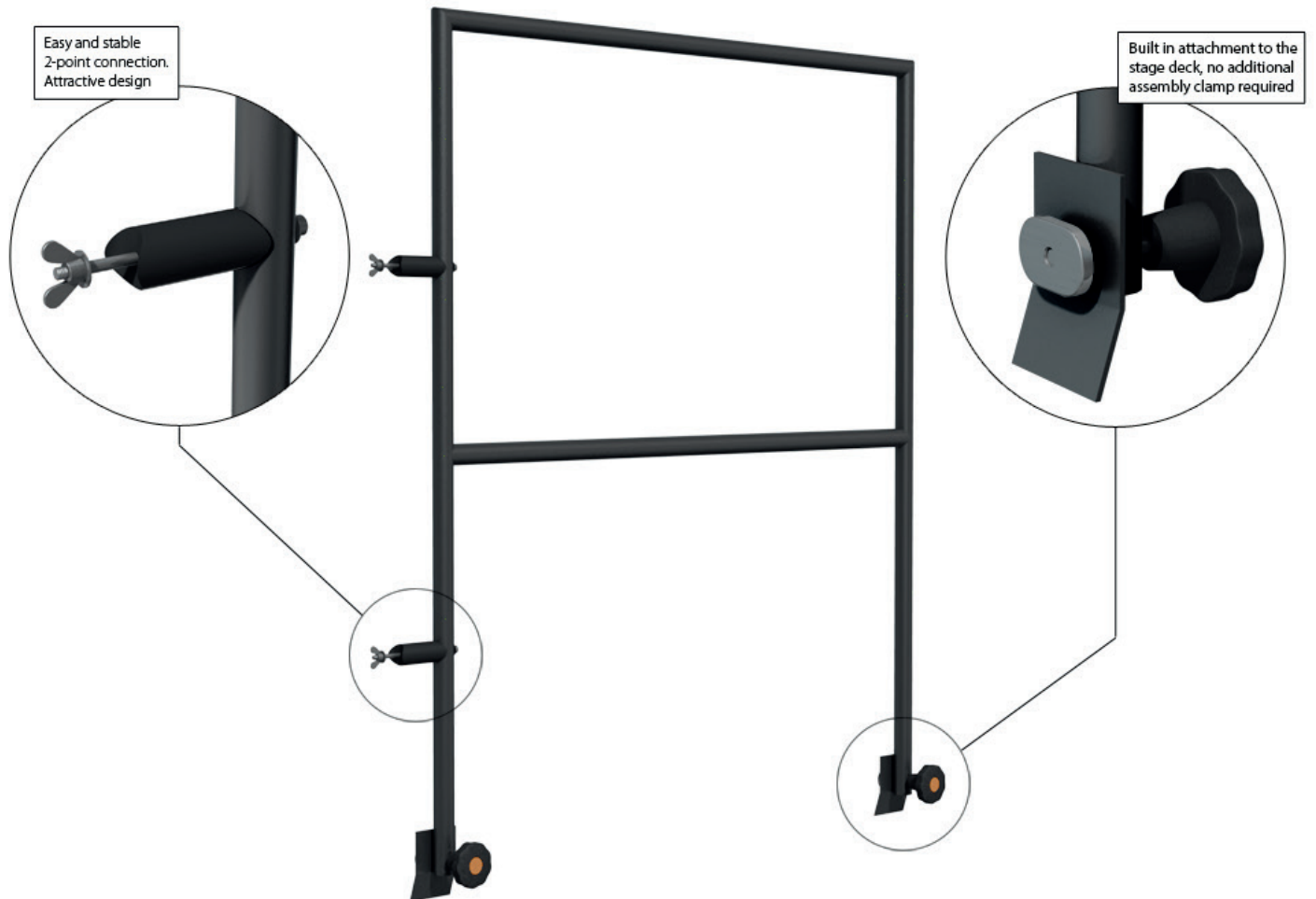
**Step 80cm**  
Code:115154



**Modular platform step hand rail**  
Code:115155

# PLATFORM RAILING

The steel railings for the GT STAGE DECK are galvanised or black powder coated. They are available with a length of 1 or 2 metres. For a normal use without public access (30kg/m<sup>2</sup>). Other length on request.



**Corner clamp for handrail**  
Code:101547



## Railing



**Railing 0,5m**  
Code: 101614



**Railing 1,0m**  
Code:115166

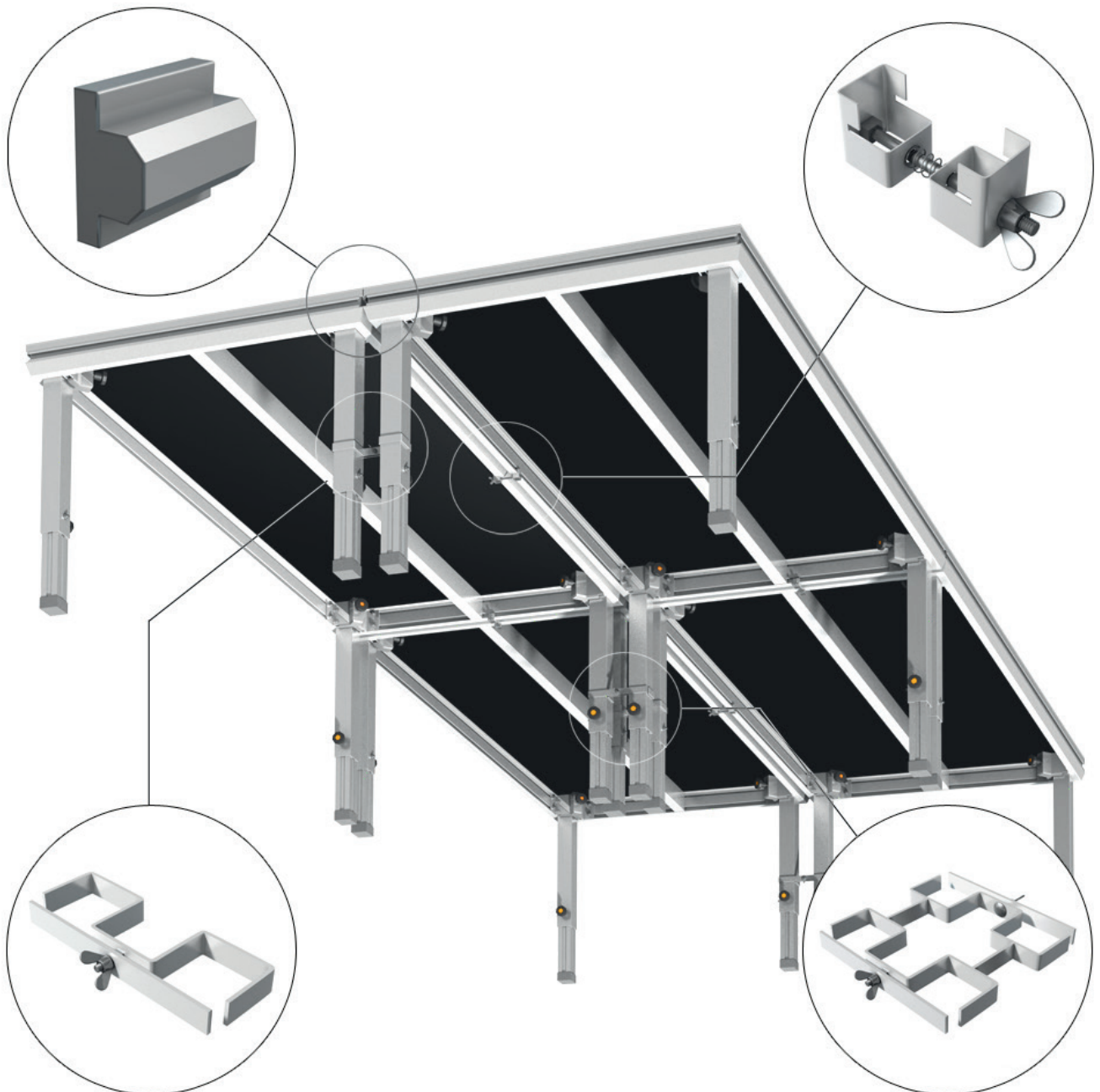


**Railing 2,0m**  
Code:115165

- 
- as fall off protection
  - mounting on the notch
    - steel
  - black powder coated



## Clamps and accessories



We have developed this GT STAGE DECK series with the aspect to work with as less as possible accessories. Only 4 separate connectors are needed to build up a whole system.  
This provides a fast and easy set up.



**Platform clamp**  
Code: 115147

Clamp to connect two GT STAGE DECK. One clamp per metre is recommended.



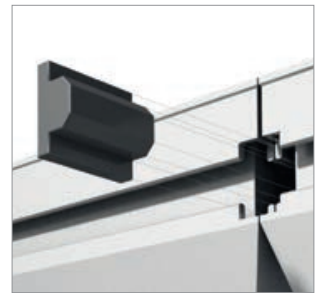
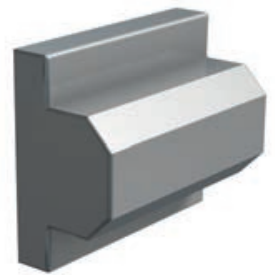
**Clamp 2-fold**  
Code: 115150

Clamp to connect two platform legs.



**Clamp 4-fold**  
Code: 115149

Clamp to connect four platform legs.



**Deck Leveller**  
Code: 115148

Plugin to fix platforms on the same height on uneven surfaces.



## SKIRTS

### Velvet stage platform skirt straight

|              |               |
|--------------|---------------|
| Code: 115524 | 20 x 205 cm   |
| Code: 115525 | 40 x 205 cm   |
| Code: 115526 | 60 x 205 cm   |
| Code: 115527 | 70 x 205 cm   |
| Code: 115528 | 1000 x 205 cm |

### Skirt profile with Velcro strip

|              |         |
|--------------|---------|
| Code: 115516 | 470 mm  |
| Code: 115517 | 970 mm  |
| Code: 115518 | 1970 mm |



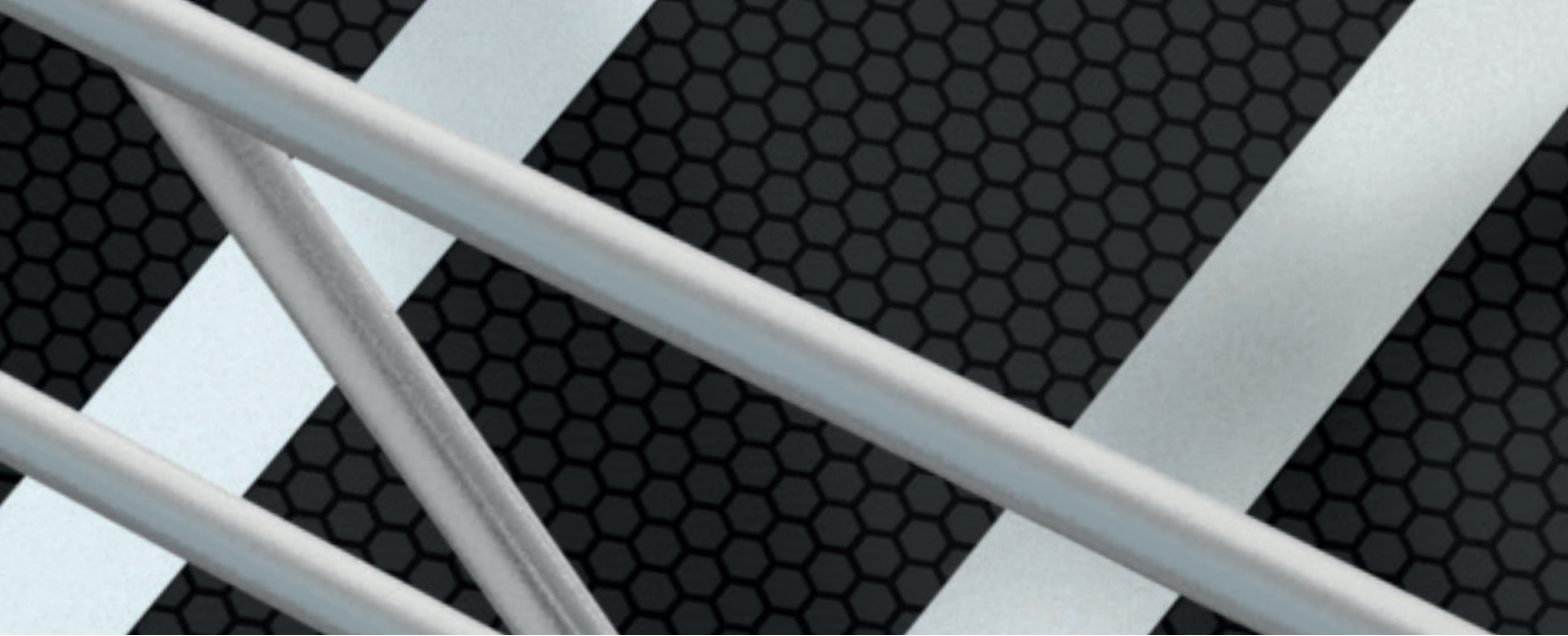
## Transport trolley



**Transport trolley for vertical transport of  
6 x GT STAGE DECK 200 x 100**  
Code: 101597



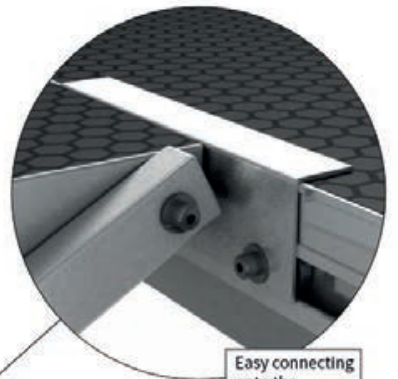
**Transport trolley for the transport of up to  
15 x GT STAGE DECK 200x100**  
Code: 115168



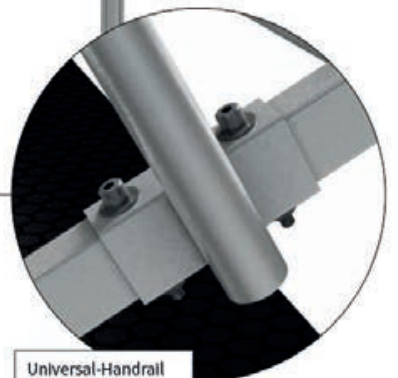
## Adjustable stairs



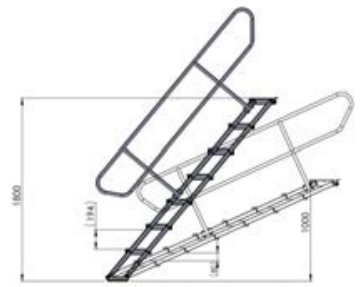
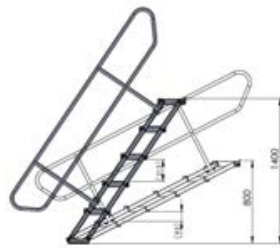
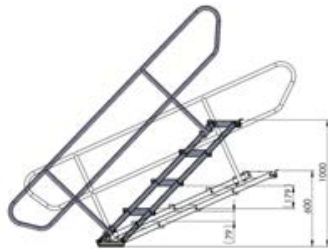
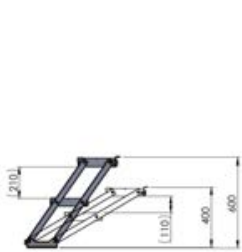
Adjustable steps  
for uniform  
distribution



Easy connecting  
onto the  
Stage Desk GT



Universal-Handrail  
for adjustable  
stairway with four,  
five or seven steps



**Stairway with two steps**  
40-60 cm  
Code: 117330

**Stairway with four steps**  
60-100 cm  
Code: 117331

**Stairway with five steps**  
80-140 cm  
Code: 117332

**Stairway with seven steps**  
100-180 cm  
Code: 117333



**Handrail left for adjustable stairway**  
Code: 101619



**Handrail right for adjustable stairway**  
Code: 101620

The handrails are universally usable for stairways with four, five and seven steps.



### **ShowQuip Contact**

21 Livingstone Street  
Christchurch 8011  
New Zealand

0800 155 141  
[info@showquip.com](mailto:info@showquip.com)  
[www.showquip.com](http://www.showquip.com)